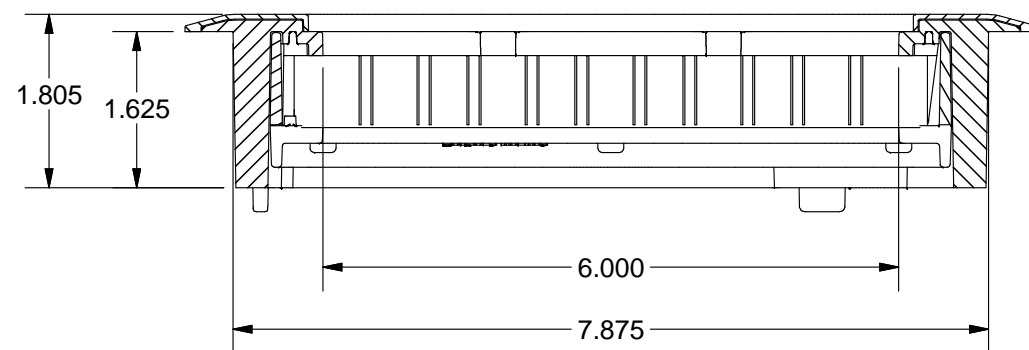
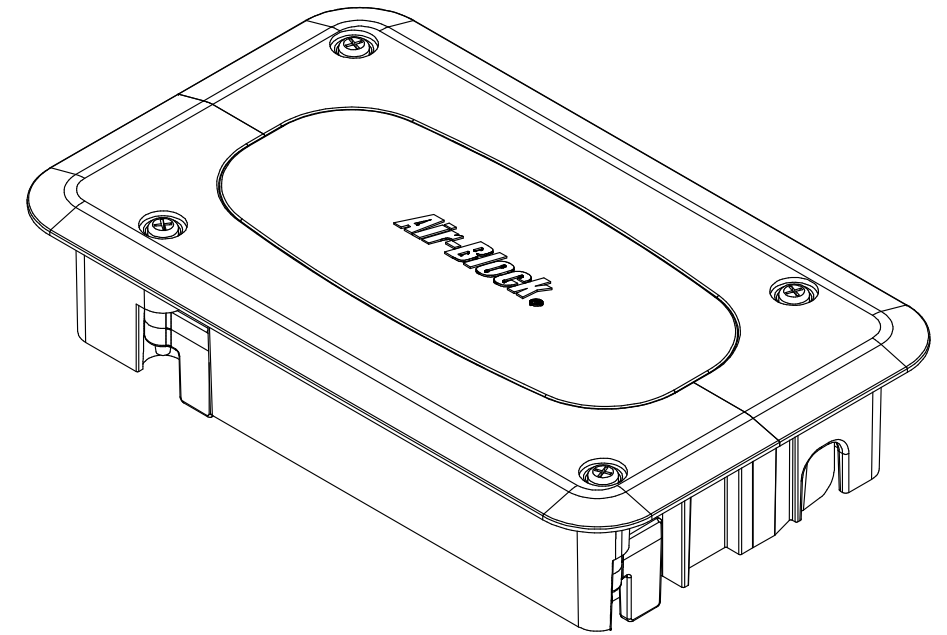


SECTION B-B  
SCALE 1 / 2



SECTION A-A  
SCALE 1 / 2

NOTES:

- 1 RECOMMENDED FLOOR TILE CUT-OUT DIMENSIONS.  
 - CENTER OF TILE = 8.0 X 4.5  
 - LONG SIDE OF GROMMET ON EDGE OF TILE = 8.0 X 5.0

Custom Plastic Distributors, Inc.

Air Block Dimensional Drawing			
This document and the information on it is the property of Custom Plastic Distributors, Inc.			
Drawing No.:		Page 1 Of	1
Date:	6/30/2009	Revision	1
Part No.:	GT036APG		