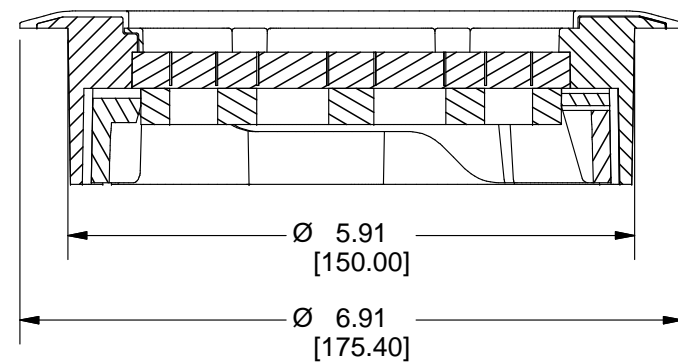
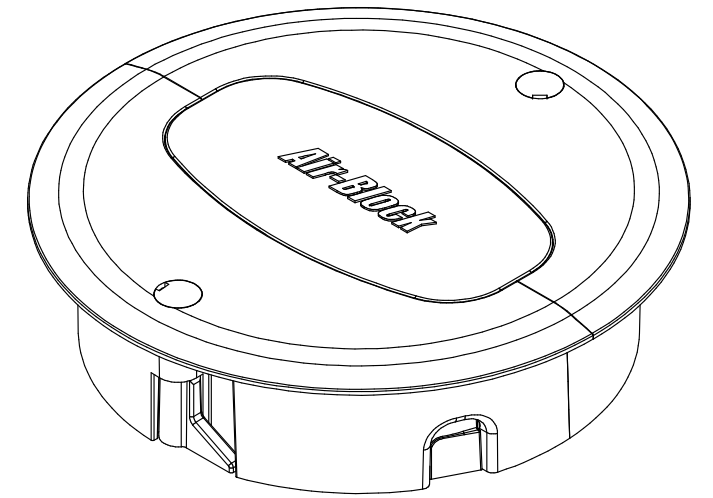


SECTION A-A
SCALE 1 / 2



SECTION B-B
SCALE 1 / 2



NOTES:

- 1 RECOMMENDED FLOOR TILE CUT-OUT DIMENSIONS.
- $\varnothing 6.0$ " [152.4 MM] DIAMETER CUTOUT

Custom Plastic Distributors, Inc.

Air Block Dimensional Drawing

This document and the information on it is the property of Custom Plastic Distributors, Inc.

Drawing No.:		Page 1 Of	1
Date:	12/10/2009	Revision	1
Part No.:	GT060APG		