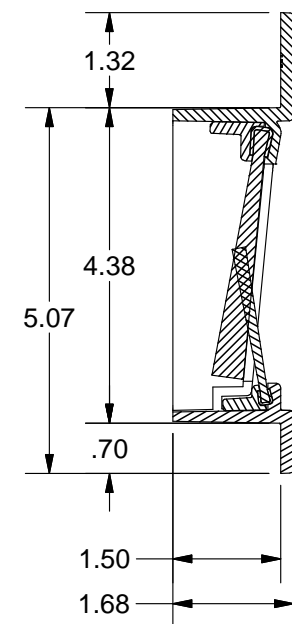
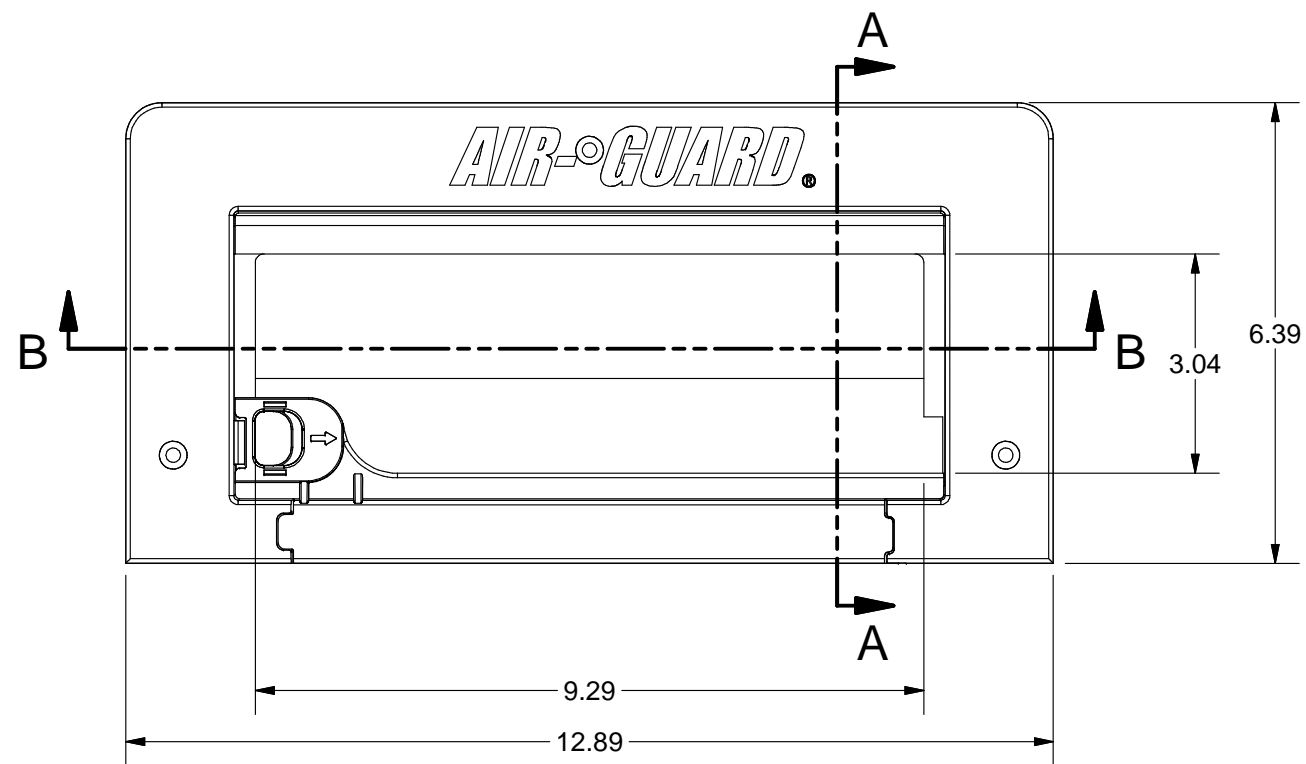
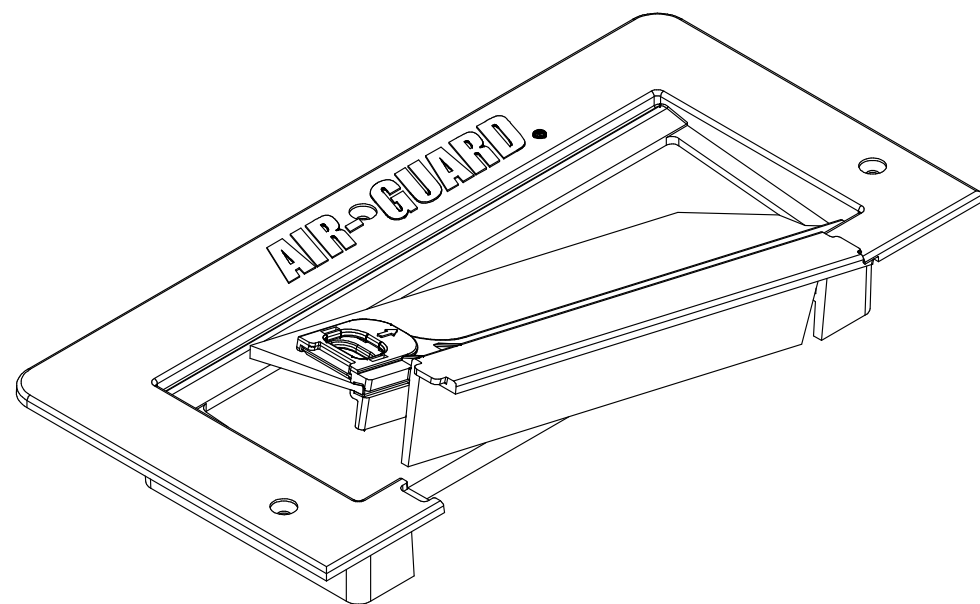


SECTION B-B
SCALE 3/8



SECTION A-A
SCALE 3/8



NOTES:

- RECOMMENDED FLOOR TILE CUT-OUT DIMENSIONS.
 - CENTER OF TILE = 4.50 X 10.50
 - LONG SIDE OF GROMMET ON EDGE OF TILE = 5.25 X 10.50

Custom Plastic Distributors, Inc.

Air Guard Cable Seal Dimensional Drawing

This document and the information on it is the property of Custom Plastic Distributors, Inc.

Drawing No.:		Page 1 of	1
Date:	6/1/2009	Revision	1
Part No.:	GTAG1		