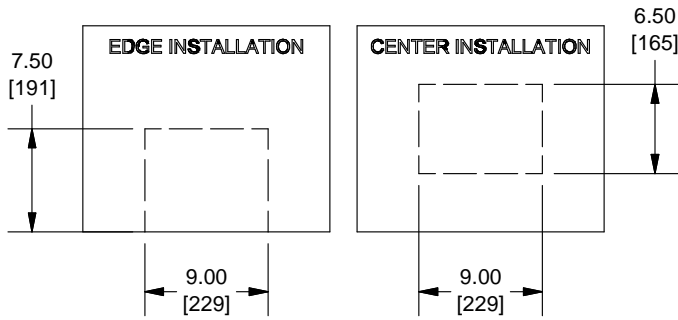


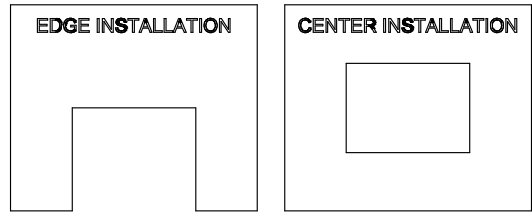
GTAG2 AIR GUARD EXTREME

1



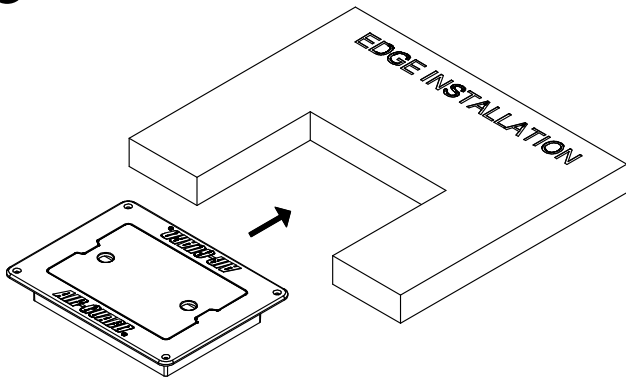
MARK CUTOUT LOCATION ON ACCESS FLOOR PANEL.
(SEE TEMPLATE ON BACK)

2

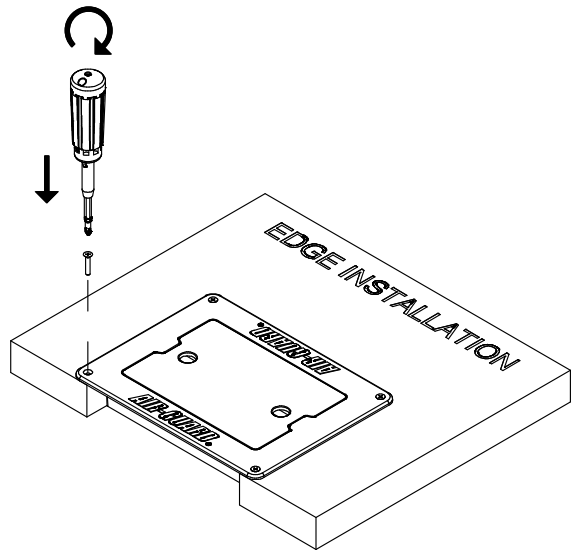


CUT ACCESS FLOOR PANEL WITH MANUFACTURERS
RECOMMENDED METHOD. BE SURE TO FOLLOW ALL
RECOMMENDED SAFETY PROCEDURES.

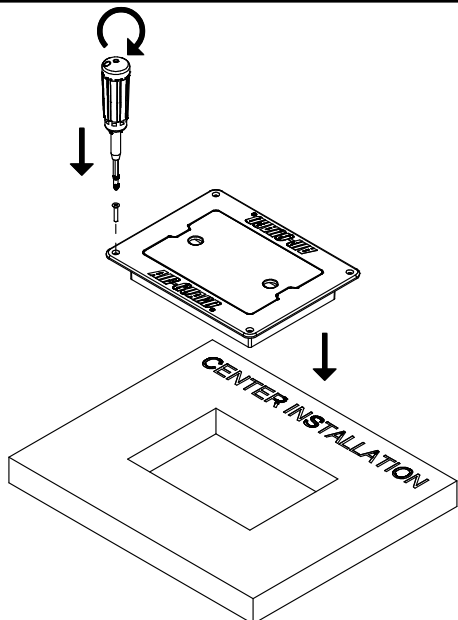
3



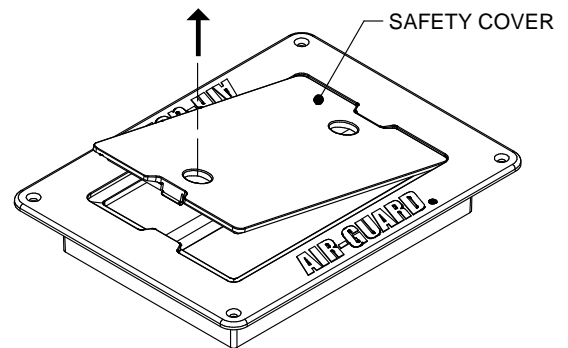
4



5



6



REMOVE SAFETY COVER AT CABLE INSTALLATION.

GTAG2 AIR GUARD EXTREME

