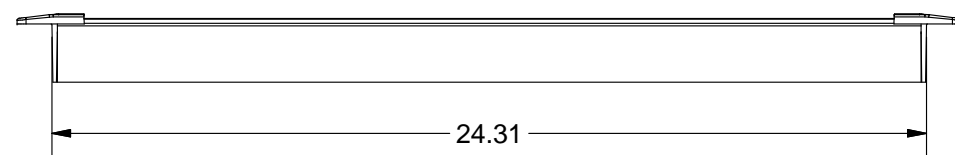
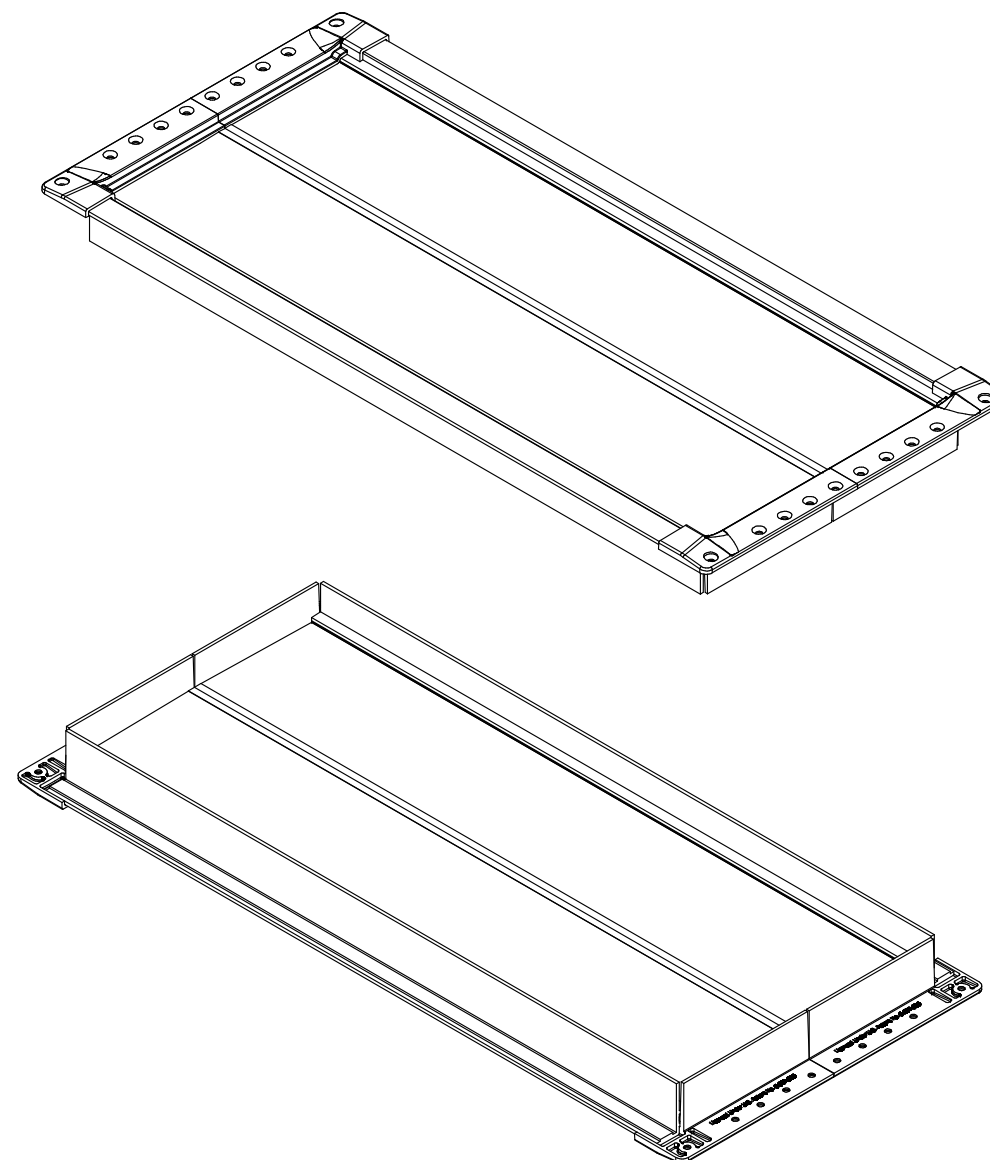


SECTION A-A
SCALE 3/16



NOTES:

- 1 THESE ARE THE MAXIMUM DIMENSIONS FOR EACH KIT -THE BRUSHES CAN BE CUT TO FIT EACH APPLICATION -THIS DRAWING WILL PROVIDE MAXIMUM DIMENSIONS.

Custom Plastic Distributors, Inc.

Air Guard 24" Field Kit Dimensional Drawing

This document and the information on it is the property of Custom Plastic Distributors, Inc.

Drawing No.:		Page 1 of	1
Date:	12/29/2008	Revision	1
Part No.:	GTAG524F		