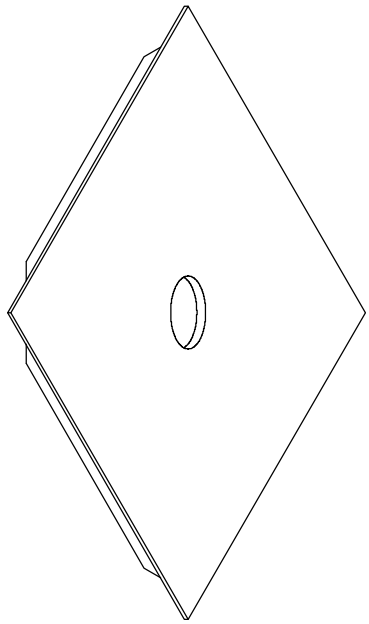
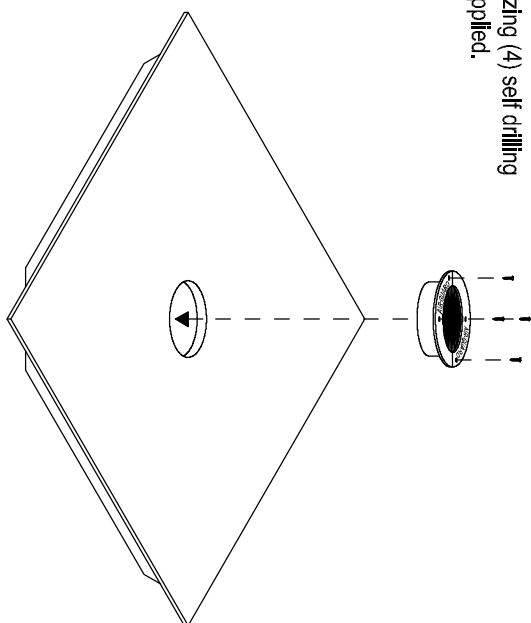


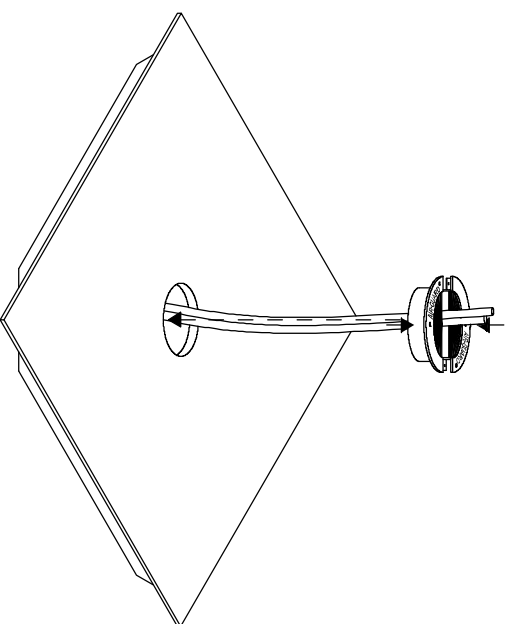
Step 1.
 Cut 5.0" hole in raised floor panel. (Use manufacturers suggested guidelines for cutting panel)



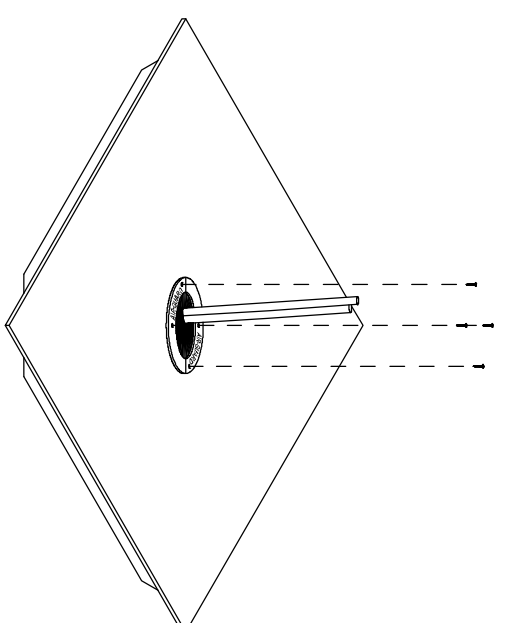
Step 2.
 Install grommet into cutout and attach utilizing (4) self drilling screws supplied.



Step 3.
 For existing holes with cables: split grommet and clamp both sides around cables (out of the hole), push the entire unit into the hole.



Step 4.
 Attach utilizing (4) self drilling screws supplied.



NOTES:
 1 RECOMMENDED FLOOR TILE CUT-OUT DIMENSIONS
 - CENTER OF TILE = 5.00"

Custom Plastic Distributors, Inc.

Air-Guard Grommet Installation Drawing

The grommet and rebar shown on this property of Custom Plastic Distributors, Inc.

Drawing No.:	21030013	Page 1 of	1
Date:	07/20/13	Revision	1
Part No.:	GTICAR		