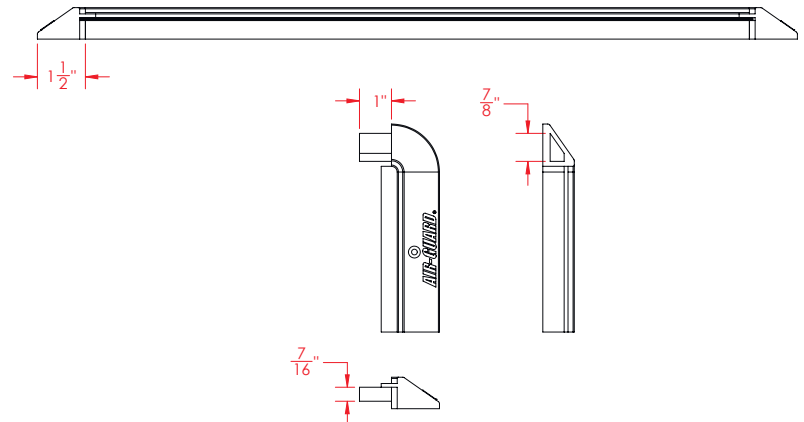
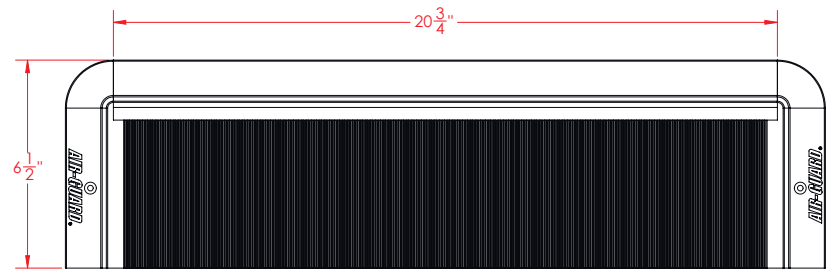


FEATURES:

- ❑ Engineered sealing system - nylon no 6 brush system
- ❑ Tool-less installation using integrated adhesive strip under grommet flange - (optional screw down feature included)
- ❑ Seals holes against the perimeter/wall, with no need to cut floor panels
- ❑ Airguard frame manufactured from high strength flame retardant ABS
- ❑ Contains one brush piece and two side rail clips
- ❑ Overall dimensions 23 3/4"L x 6 1/2"W (603 mm x 165 mm)
- ❑ Usable space 20 3/4"L x 4 3/4"W (527 mm x 120 mm)
- ❑ RoHS compliant - meets NECN code for cutouts



DATA CENTER BEST PRACTICES - SEALING AROUND CABLE OPENING:

- ❑ Reduces bypass airflow and increases under-floor static pressure
- ❑ Increases cooling efficiencies
- ❑ ROI (reduces energy costs by lowering CRAC demand)
- ❑ Hot Aisle / Cold Aisle best practice requires sealed cutouts