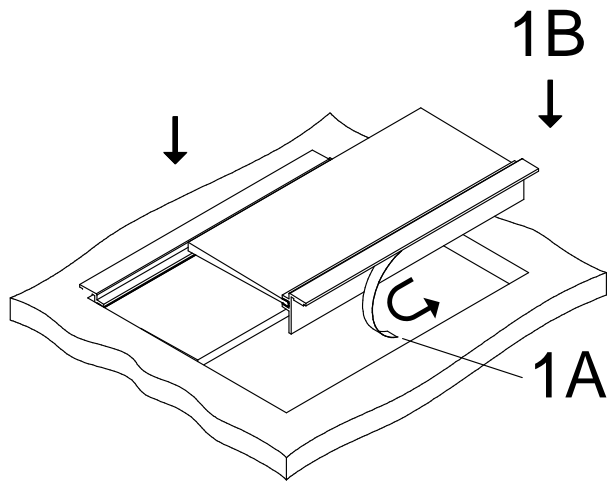
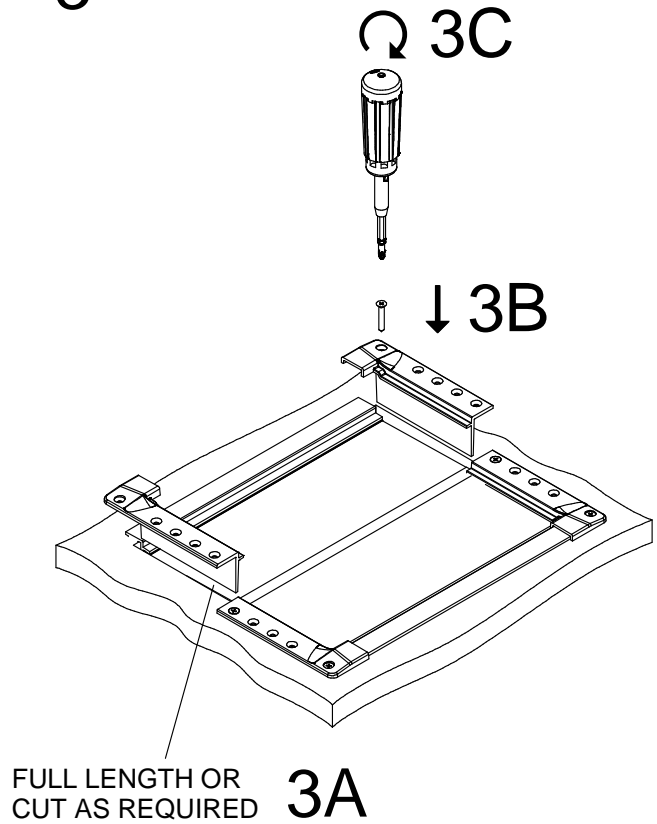


1

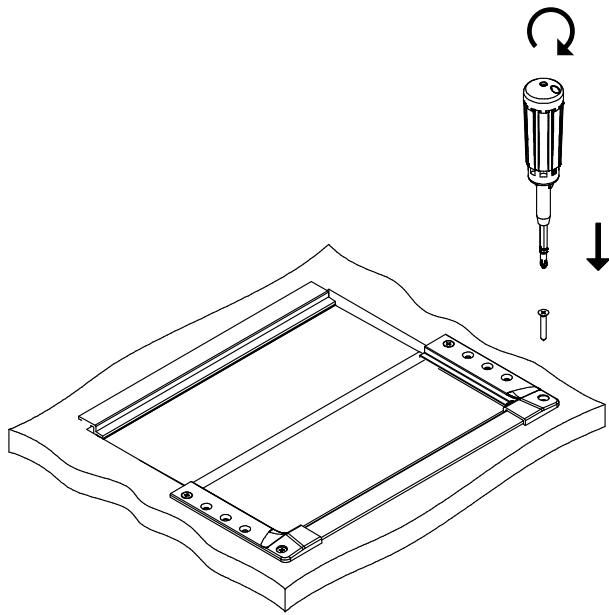


CUT BRUSH IF NECESSARY TO FIT OPENING-
 ALLOW 1/2" FOR SIDE RAILS- EXAMPLE- IF
 OPENING IS 10", CUT BRUSH AT 9 1/2" WHICH WILL
 ALLOW LEFT AND RIGHT SIDE RAILS TO BE
 ATTACHED. WE SUGGEST CRIMPING ENDS OF
 METAL BRUSH RETAINER TO MINIMIZE LOSS OF
 FILAMENTS; HOWEVER, THE SIDE RAILS ARE
 DESIGNED TO CAP THE BRUSH EXTRUSION AND
 WILL ELIMINATE FILAMENT LOSS.

3



2



4

